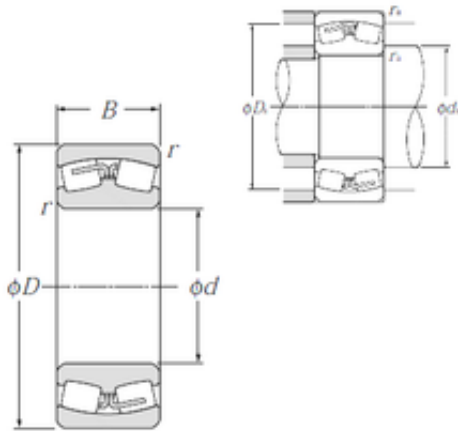




24068B NTN Spherical Roller Bearings



Bearing No. 24068B

24068B Bearing 2D drawings and 3D CAD models

Size	340x520x180 mm
Bore Diameter	340 mm
Outer Diameter	520 mm
Width	180 mm
d	340 mm
D	520 mm
B	180 mm
C	180 mm
r min.	5 mm
da min.	362 mm
Da max.	498 mm
ra max.	4 mm
Weight	140 Kg
Basic dynamic load rating (C)	3 000 kN
Basic static load rating (C0)	6 200 kN
(Grease) Lubrication Speed	550 r/min
(Oil) Lubrication Speed	720 r/min
Calculation factor (e)	0,34
Calculation factor (Y0)	1,94
Calculation factor (Y1)	1,98
Category	Roller Bearings
Inventory	0.0
Manufacturer Name	NTN
Minimum Buy Quantity	N/A
Weight / Kilogram	0
Product Group	B04311



DePump pump Shijiazhuang Co., Ltd.

bore diameter:	340 mm
operating temperature range:	-40 to 120 ° C
outside diameter:	520 mm
cage material:	Steel
overall width:	180 mm
bearing material:	Through Hardened Steel
bore type:	Straight
cage type:	Pressed
outer ring type:	Not Split
finish/coating:	Uncoated
internal clearance:	CN
outer ring width:	180 mm
closure type:	Open
inner ring width:	180 mm
lubrication hole type:	No Holes
fillet radius:	4 mm
dynamic load capacity:	3000000 N
series:	240
static load capacity:	6200000 N
manufacturer product page:	Click here
maximum rpm:	720 rpm